

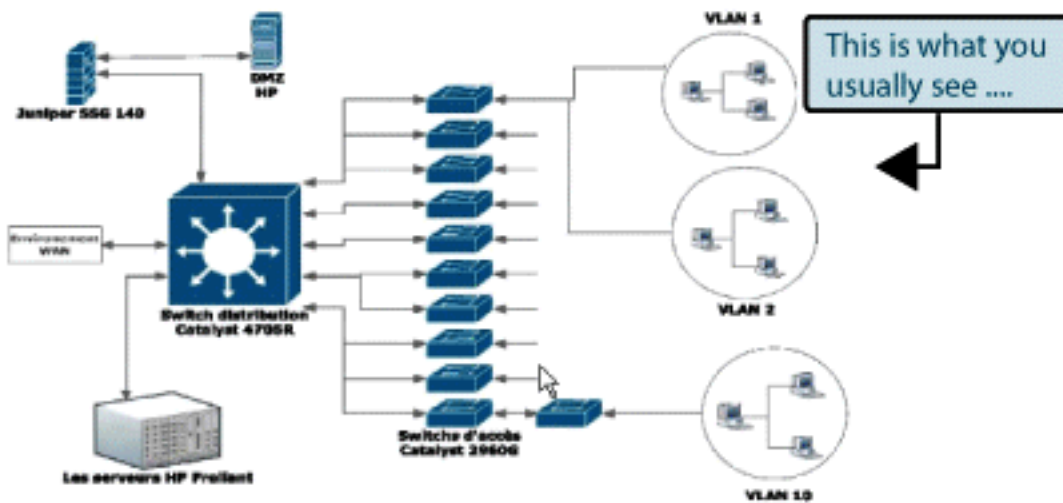
The efficiency of your networks depends on the cabling infrastructure

Manage, plan and gather complete information about the cabling
of your networks (Voice/Data/Images/Security)
with one single solution:

R3Web



Do you effectively manage your telecoms and network infrastructure ?



Maybe you feel you already have a lot of software...

In the TCP/IP model, the application, transport, and the internet layers are managed by many different systems.

... but does it manage your physical infrastructure ?

The photograph shows a server room with multiple racks of server hardware. The racks are densely packed with various components, and a complex network of cables is visible, connecting the equipment. A callout box with the text 'The real architecture looks like this !' has an arrow pointing to the server racks.

The missing link :

This layer between the hardware network interface and the Internet is often still managed by paper-based systems, (non-integrated) spreadsheet, or simply retained in the heads of the staff on site... R3Web fills this gap.

- Visualisation and planning of the network physical layer
- Searching and updating a database that centralizes all the information about the low current networks
- Management of buildings, data centres, MAN, WAN

Cost management :

Saving time on a daily basis

Installers estimate that 2/3 of time is saved during on site usual operations.

Eradicate hidden costs

Avoid laborious on-site studies for new cabling.

Identify unallocated cable resources.

Eliminate errors and delays caused by knowledge that is not shared.

Reduce the need for last minute interventions.

Quality of service :

Respond to SLA demand

Fix and respect deadlines and volumes with confidence.

Analyse and optimise what you promise to clients.

Calculate exactly the work undertaken, for example for the billing process.

Measure whether the deliverables have been respected.

More than 300 prestigious sites already use R3Web in France and in Europe

Railway transport, airports, research centres, armaments, oil refineries, steel industry, electric power plants, ministries, hospitals, local authorities, banks, ...



THALES



ADN is committed to the success of your project

On demand services

related to cabling infrastructure management and R3Web software

Initial study



On site complementary reports

User's data integration



Technical support



User's data updates

Facility management

User's training



Contact us !

contact@adnfrance.com

ADN - 2, chemin de Las Peyrères - 31390 Carbonne - FRANCE
tel : + 33 (0)5 61 90 81 60 fax : + 33 (0)5 61 90 81 61

www.adnfrance.com

R3Web

Test the
solution
on line !